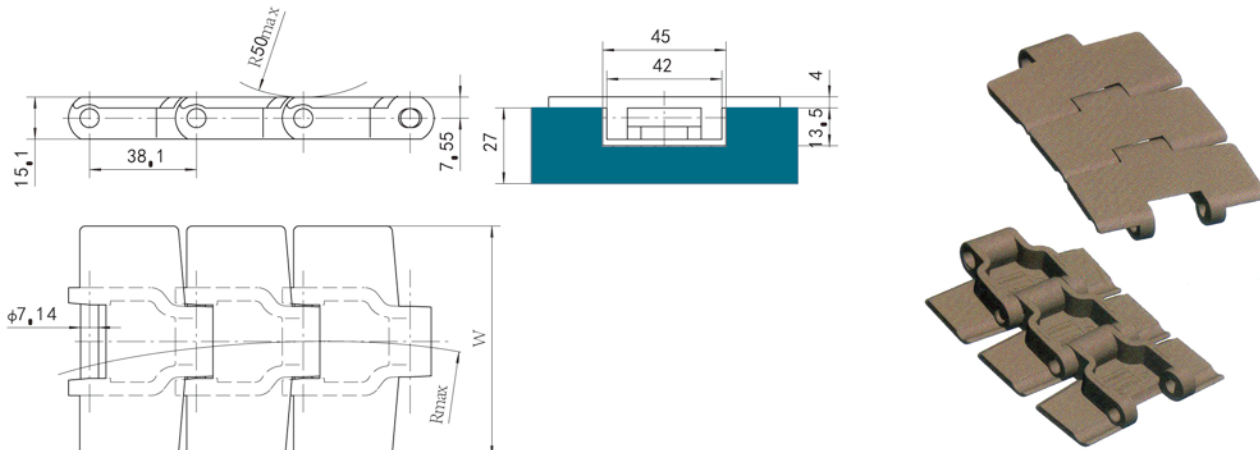


工程塑料侧弯平顶链 Engineering Plastic Sideflexing Flat Top Chains

LF880M系列  
LF880M Series



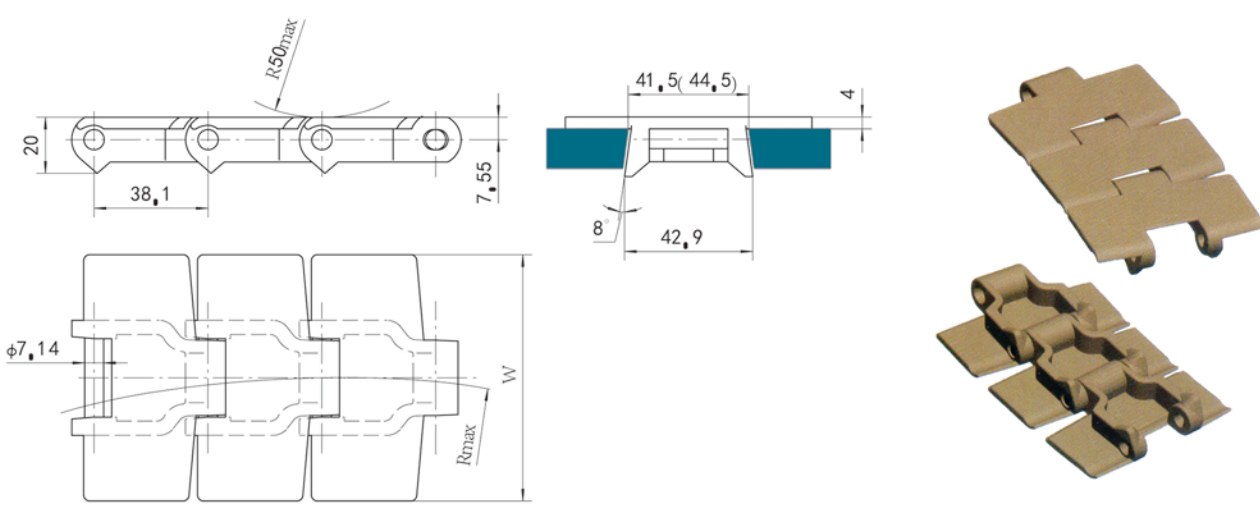
链号 Chain No.	链板 Plate		屈服强度 Yield Strength		侧弯半径 Side flex Radius		重量 Weight		
	材料 Material	宽度 (Width) W		σ 0.2		R max			
		mm	inch	kN	lbf	mm	inch	Kg/m	lb/ft
LF 880M-K325	聚甲醛 Delrin	82.5	3 1/4	5.7	1,282	457	18	0.98	0.66
LF 880M-K450		114.3	4 1/2					1.15	0.77

说明: 1. 链条依靠磁性可轻松固定在弯导轨上, 易拆卸清洗。  
2. 供货时, 每条链条的标准长度为3.048m ( 10ft ), 计80节。

Note: 1. To depend on magnets, the chains are easily fixed in the curved track and easily removal for cleaning.  
2. When supplied, the standard length of each chain is 3.048m ( 10ft ), totaling 80 links.

工程塑料侧弯平顶链 Engineering Plastic Sideflexing Flat Top Chains

LF880系列 “口”型导向  
LF880 Series “口” Type Guide



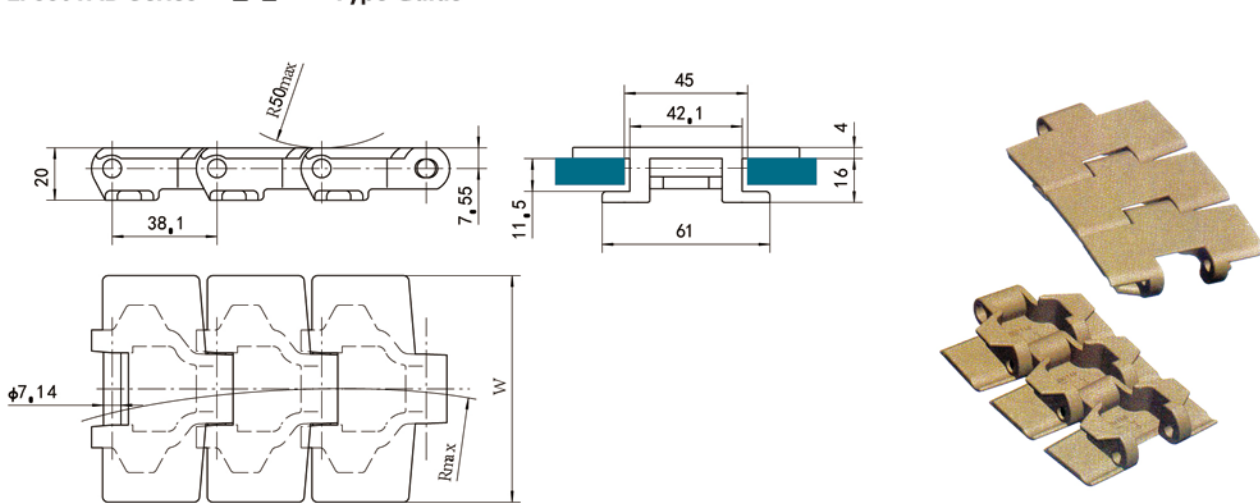
链号 Chain No.	链板 Plate		屈服强度 Yield Strength		侧弯半径 Side flex Radius		重量 Weight		
	材料 Material	宽度 (Width) W		σ 0.2		R max			
		mm	inch	kN	lbf	mm	inch	Kg/m	lb/ft
LF 880-K325	聚甲醛 Delrin	82.5	3 1/4	6	1,350	457	18	0.98	0.66
LF 880-K350		88.9	3 1/2					1.01	0.68
LF 880-K450		114.3	4 1/2			610	24	1.15	0.77

说明: 1. 由于链板下部带有8° 斜度的“口”型导向结构, 因此链条在设定的轨道里进行曲线运行时, 能够消除抬起翻倾的趋势;  
2. 链板导向部分的尺寸参数等同于8810/881系列的不锈钢侧弯平顶链, 因此它们的运行轨道设计是相同的;  
3. 曲线输送段导轨宽度为41.5mm, 直线输送段导轨宽度为44.5mm;  
4. 销轴材料为奥氏体型铬镍不锈钢;  
5. 供货时, 每条链条的标准长度为3.048m ( 10ft ), 计80节。

Note: 1. As the underside of plate is welded a 8° inclined “口” Type Guide Structure, it can eliminate the trend of lifting and turning over when the chains are having a curved running in a given track.  
2. The dimensional parameters of the Guide of the chains are the same as those of 8810/881 series stainless steel sideflexing flat top chains, so the design of the running track is the same.  
3. The width of the track in the curve conveying section is 41.5mm, and the one of the track in the straight conveying section is 44.5mm.  
4. The material of pin is Austenitic Chromium-Nickel Stainless Steel.  
5. When supplied, the standard length of each chain is 3.048m ( 10ft ), totaling 80 links.

工程塑料侧弯平顶链 Engineering Plastic Sideflexing Flat Top Chains

LF880TAB系列 “┐”型导向  
LF880TAB Series “┐” Type Guide



链号 Chain No.	链板 Plate		屈服强度 Yield Strength		侧弯半径 Side flex Radius		重量 Weight		
	材料 Material	宽度 (Width) W		σ 0.2		R max			
		mm	inch	kN	lbf	mm	inch	Kg/m	lb/ft
LF 880TAB-K325	聚甲醛 Delrin	82.5	3 1/4	6	1,350	457	18	0.98	0.66
LF 880TAB-K350		88.9	3 1/2					1.01	0.68
LF 880TAB-K450		114.3	4 1/2			610	24	1.13	0.76

说明: 1. 由于链板下部带有“┐”型导向结构, 因此链条在设定的轨道里进行曲线运行时, 能够消除抬起翻倾的趋势;  
2. 链板导向部分的尺寸参数等同于8810 TAB/881 TAB不锈钢侧弯平顶链, 因此它们的运行轨道设计是相同的;  
3. 曲线输送段导轨宽度为44.2mm, 直线输送段导轨宽度为46mm;  
4. 销轴材料为奥氏体型铬镍不锈钢;  
5. 供货时, 每条链条的标准长度为3.048m ( 10ft ), 计80节。

Note: 1. As the underside of plate is welded a “┐” Type Guide Structure, it can eliminate the trend of lifting and turning over when the chains are having a curved running in a given track.  
2. The dimensional parameters of the Guide of the chains are the same as those of 8810 TAB/881 TAB stainless steel sideflexing flat top chains, so the design of the running track is the same.  
3. The width of the track in the curve conveying section is 44.2mm, and the one of the track in the straight conveying section is 46mm.  
4. The material of pin is Austenitic Chromium-Nickel Stainless Steel.  
5. When supplied, the standard length of each chain is 3.048m ( 10ft ), totaling 80 links.