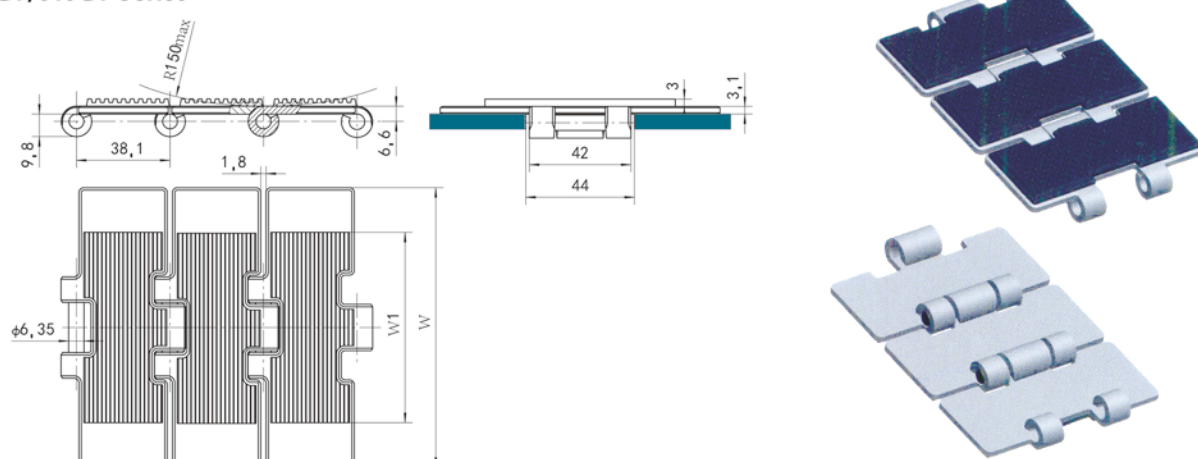


不锈钢单铰链式带硫化橡胶顶直输平顶链 Stainless Steel Single Hinge Straight Running Flat Top Chains with Vulcanized Rubber Pad

812GT/815GT系列 812GT/815GT Series



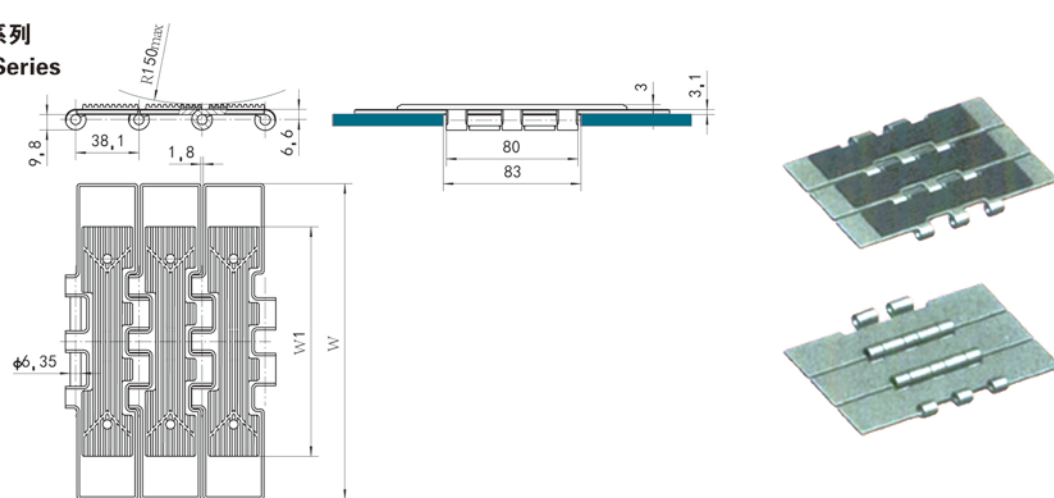
| 链号 Chain No. | 链板 Plate | | 橡胶顶 Rubber Pad | | 屈服强度 Yield Strength $\sigma_{0.2}$ | | 重量 weight | | | |
|-----------------|--|----------------|-------------------|--|--|--------|--------------|-------|------|-------|
| | 材料 material | 宽度 (Width)W | | 材料 material | 宽度 (Width)W1 | | kN | lbf | kg/m | lb/ft |
| | | mm | inch | | mm | inch | | | | |
| C13S GT | 马氏体型铬不锈钢 Martensitic Chromium Stainless Steel | 82.5 | 3 1/4 | 丁腈橡胶 butadiene acrylonitrile rubber | 77.6 | 3 1/18 | 6.25 | 1,406 | 2.77 | 1.86 |
| C18S GT | | 114.3 | 4 1/2 | | | | | | 3.49 | 2.34 |
| SS 812-K325 GT | 铁素体型铬不锈钢 Ferritic Chromium Stainless Steel | 82.5 | 3 1/4 | | | | 5.8 | 1,305 | 2.76 | 1.85 |
| SS 812-K450 GT | | 114.3 | 4 1/2 | | | | | | 3.47 | 2.33 |
| SSA 815-K325 GT | 奥氏体型铬镍不锈钢 Austenitic Chromium-Nickel Stainless Steel | 82.5 | 3 1/4 | | | | 8 | 1.8 | 2.83 | 1.90 |
| SSA 815-K450 GT | | 114.3 | 4 1/2 | | | | | | 3.57 | 2.40 |

- 说明：1. 基型链条为815/812系列。链号后缀“GT”表示金属链板的工作面上粘合橡胶，以提供一个良好的防滑效果。应用于止滑动要求高或角度不大于20°的倾斜输送机上；
2. 工作温度-30℃到+120℃；
3. 具有高的耐油、耐油脂、耐酸性能；
4. 同一宽度的金属链板有三种不同的材料可供选择，以适应不同的工作场合；
5. 供货时，每条链条的标准长度为3.048m（10ft），计80节。

- Note: 1. The basic chain is 815/812 Series. The suffix “GT” affixed on the chain no. indicates the working surface of the metal plate is fastened together with rubber, providing a good grip effect. The series are used on an inclined conveyor with a higher requirement of limited-slip or with an angle less than 20° inclusive.
2. For the metal plates with a same width, there are 3 kinds of different materials to be available as an option, using to many different workplaces.
3. Working temperature: from -30°C to +120°C.
4. With the properties of high oil resistance, grease resistance and acid-resisting.
5. When supplied, the standard length of each chain is 3.048m (10ft) , totaling 80 links.

不锈钢双铰链式带硫化橡胶顶直输平顶链 Stainless Steel Double Hinge Straight Running Flat Top Chains with Vulcanized Rubber Pad

802GT/805GT系列 802GT/805GT Series



| 链号 Chain No. | 链板 Plate | | 橡胶顶 Rubber Pad | | 屈服强度 Yield Strength $\sigma_{0.2}$ | | 重量 weight | | | |
|-----------------|--|----------------|-------------------|--|--|---------|--------------|-------|------|-------|
| | 材料 material | 宽度 (Width)W | | 材料 material | 宽度 (Width)W1 | | kN | lbf | kg/m | lb/ft |
| | | mm | inch | | mm | inch | | | | |
| C30D GT | 马氏体型铬不锈钢 Martensitic Chrome Stainless Steel | 190.5 | 7 1/2 | 丁腈橡胶 butadiene acrylonitrile rubber | 140.00 | 5 22/43 | 12.5 | 2,812 | 6.05 | 4.07 |
| SS 802-K750 GT | 铁素体型铬不锈钢 Ferritic Chrome Stainless Steel | | | | | | 11.6 | 2.61 | 5.98 | 4.02 |
| SSA 805-K750 GT | 奥氏体型铬镍不锈钢 Austenitic Nickel-Chrome Stainless Steel | | | | | | 16 | 3.6 | 6.11 | 4.11 |

- 说明：1. 基型链条为805/802系列。链号后缀“GT”表示金属链板的工作面上粘合橡胶，以提供一个良好的防滑效果。应用于止滑动要求高或角度不大于20°的倾斜输送机上；
2. 同一宽度的金属链板有三种不同的材料可供选择，以适应不同的工作场合；
3. 工作温度-30℃到+120℃；
4. 具有高的耐油、耐油脂、耐酸性能；
5. 供货时，每条链条的标准长度为3.048m（10ft），计80节。

- Note: 1. The basic chain is 805/802 Series. The suffix “GT” affixed on the chain no. indicates the working surface of the metal plate is fastened together with rubber, providing a good grip effect. The series are used on an inclined conveyor with a higher requirement of limited-slip or with an angle less than 20° inclusive.
2. For the metal plates with a same width, there are 3 kinds of different materials to be available as an option, using to many different workplaces.
3. Working temperature: from -30°C to +120°C.
4. With the properties of high oil resistance, grease resistance and acid-resisting.
5. When supplied, the standard length of each chain is 3.048m (10ft) , totaling 80 links.