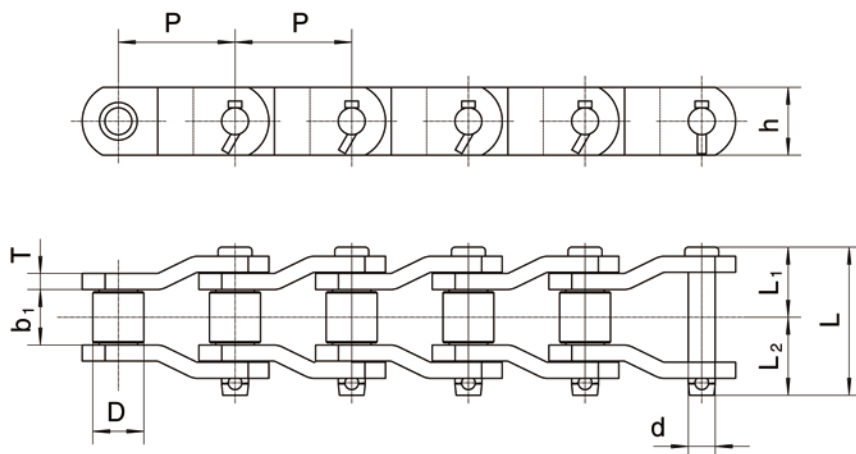


重载传动用弯板链 Heavy-Duty Cranked-Sidebar Roller Chains



Properties
 TH Thru-Hardened
 CARB Carburized
 SIH electively Induction
 Hardened

链号	节距	窄端内宽	滚子外径		链板		销轴			最小抗拉强度	每米净重	
Chain No.	Pitch	Inside width at narrow end	Roller		Sidebars		Pin			Ultimate tensile strength	Weight Per meter	
			D(max)	Properties	h	T	d	L1	L2	Properties	Q(min)	q
	mm	b 1(min) mm	mm		mm	mm	mm	mm	mm	mm	kN	kg/m
EXS2065	50.8	31.75	28.7		41.4	7.9	14.99	38.4	42.9		288.9	11.3
ZY2010	63.5	37.9	31.75	CARB	44.5	8	15.88	41.9	46.2	TH	254	13.1
MXS882	66.27	28.7	22.1		28.7	6.4	11.18	32.8	36.3		124.5	5.36
ZY3067	77.9	39	41.4	TH	50.8	9.5	19.05	46.1	53.5	TH	300	17.9
ZY1568	77.9	38.61	41.27	TH	57.2	9.5	19.05	46.1	52.5	SIH	360	20.2
API3P	78.1	37.5	31.75	TH	39.6	9.5	16.5	45.5	50.9	TH	330	12.8
ZY1037	78.1	36.83	31.75	TH	44.45	9.5	16.51	44.9	49.3	TH	270	13.9
1190EXX	78.1	37.5	31.75	TH	44.45	9.5	16.5	45.5	50.9	TH	330	13.3
ZY1030	78.1	36.83	32	CARB	38.1	8	15.75	41.4	46.8	TH	109	10.4
E238R	88.9	36.83	44.45	TH	57.2	12.7	22.23	52.65	54.65	SIH	666.75	22.9
ZY2814	88.9	38.1	44.45	TH	60.5	12.7	22.23	53.6	62	TH	516	25.3
1664A	101.6	56.06	57.15		82.55	14.2	30.18	65.2	75		1111	42.55
ZY6214	101.6	68.66	57.15	TH	69.85	12.7	31.55	68	76.9	SIH	480	37.6
API4P	103.2	50.8	44.45	TH	57.2	12.7	22.23	60.2	67.5	TH	666.8	23.8
ZY1240	103.2	48	44.45	TH	50.8	12.7	22.1	58.1	65.9	SIH	209	21.4
ZY1244	103.2	48	44.45	TH	54	12.7	22.1	58.1	67.5	SIH	400	22.4
E4073	103.45	48.8	45.21	TH	60.3	14.3	25.4	62.8	70.3	TH	755.7	27.8
ZY1245	103.45	47.63	45.23	SIH	60.3	14.3	23.8	62.9	71.4	TH	560	28.4
ZY3315				TH								
ZY4522	114.3	52.3	57.15	TH	79.2	14.3	27.94	63.8	72.2	TH	760	38.1
ZY635	114.3	50.8	57.15	TH	76.2	14.3	27.94	62.6	71.7	SIH	740	37.4
ZY4523	118.11	52.3	57.15	TH	82.6	16	27.94	67.2	75.6	TH	850	41.9
1605AAA	127	65	63.5		88.9	19.05	34.93	80.1	89.5		1466	59.2
EXS5027	127	69.4	63.5	TH	88.9	15.9	31.75	78.5	84.5	TH	1156	51.3
ZY1207	127	68.25	63.5	TH	88.9	15.9	31.55	74.1	78.1	SIH	990	51.18
EXS6042	152.4	77.8	76.2		101.6	19.05	38.1	86.5	98.6		1866	69.03
ZY4824	152.4	74.6	76.2	TH	101.6	19.05	37.9	85.2	97	SIH	1400	69.1