

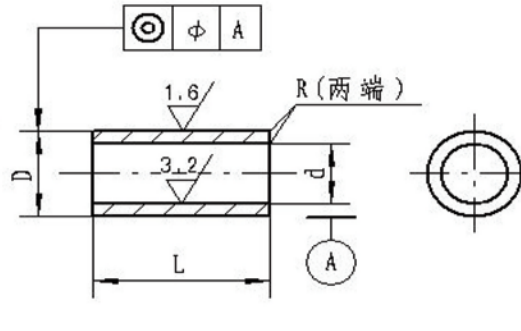


## 冷挤无缝套筒 Cold-extrusion seamless bush

### 冷挤无缝套筒

#### Cold-extrusion seamless bush

表格中所列产品参数仅供参考，具体尺寸和公差根据客户要求。  
All parameters listed in the form are only for reference,  
The Specific dimension and tolerance is upon oncustomer's request.



材质: 碳钢、合金钢 Material: carbon steel, alloy steel

链号 Chain No.	磨前外径ΦD <sub>1</sub> OD Before Grinding	成品外径ΦD Finished OD.	内径Φd Inner Dia.	长度 L Length
<b>A、B 系列精密滚子链套筒 A、B Series Precision Roller Chain Bush</b>				
06C		5.08	3.58	7.4
41(08S)		5.08	3.58	8.95
08A		5.63	3.96	11.1
10A		7.03	5.08	13.7
12A		8.33	5.94	17.65
16A		11.1	7.92	22.5
20A		13.6	9.53	27.35
24A		15.85	11.35	35.2
28A		18.0	13	37
32A		28.0	14.65	45
05B	3.45	3.3	2.31	4.78
08B		6.37	4.45	11.1
10B		7.03	5.08	13.1
12B		8.1	5.72	15.45
16B		11.5	8.28	25.3
20B	14.05	14.05	10.19	28.91
32B		23.73	18.05	45.75
32B-TSL		23.73	18.05	31.7
<b>加重滚子链套筒 Heavy Roller Chain Bush</b>				
50H		7.03	5.08	14.45
60H		8.33	5.94	19.33
80H		11.1	7.92	24.2
16BH	12.21	12	9.0	25.4
100H		13.6	9.53	29
120H	15.7	15.6	11.1	36.85
<b>摩托车链条套筒 Motorcycle Chain Bush</b>				
219H		4.59	3.0	7.6
219HO		4.59	3.0	9.6
219HT		4.59	3.01	7.75
428-O		6.8	4.45	13.5
428H-O		6.37	4.45	14.6



## 冷挤无缝套筒 Cold-extrusion seamless bush

### 冷挤无缝套筒

#### Cold-extrusion seamless bush



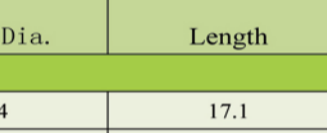
链号 Chain No.	磨前外径ΦD <sub>1</sub> OD Before Grinding	成品外径ΦD Finished OD	内径Φd Inner Dia.	长度 L Length
<b>摩托车链条套筒 Motorcycle Chain Bush</b>				
520-O		7.05	5.08	12.85
520H-O		7.65	5.24	13.85
525-O		7.05	5.08	14.35
525H-O		7.65	5.24	15.35
530-O		7.05	5.08	16.1
530H-O		7.65	5.24	17.1
415MX		5.63	3.96	7.95
428MX		5.63	3.96	9.4
428MX		6.37	4.45	11.6
520MX		7.65	5.24	11.5
520SO		7.06	5.08	13.0
525SO		7.06	5.08	14.6
530SO		7.03	5.29	15.7
520F1OR		7.65	5.3	13.4
525F1OR		7.65	5.3	14.9
520HOR	7.23	7.03	5.24	13.62
530HOR	7.18	7.03	5.24	16.9
428H		6.37	4.45	12.6
520H		7.03	5.24	11.35
525H		7.03	5.24	13.0
530H		7.03	5.08	17.1
630H		8.33	5.94	18.85
420HD		5.63	3.96	10.0
428HD	6.47	6.37	4.45	12.2
520HD		7.65	5.24	11.35
520HDX		7.65	5.24	11.5
525HD		7.65	5.24	13.0
520-V		7.03	5.08	13.15
525-V		7.03	5.08	14.75
428V		6.37	4.45	13.55
520V		7.03	5.08	13.1
525V		7.03	5.08	14.8
530V		7.03	5.08	16.3
630V		8.33	5.94	17.2
420HV	5.7	5.63	3.96	12.5
428HV	6.89	6.8	4.45	15.0
520HV	7.75	7.65	5.24	13.85
525HV	7.75	7.65	5.24	15.5



## 冷挤无缝套筒 Cold-extrusion seamless bush

### 冷挤无缝套筒

#### Cold-extrusion seamless bush



链号 Chain No.	磨前外径ΦD <sub>1</sub> OD Before Grinding	成品外径ΦD Finished OD	内径Φd Inner Dia.	长度 L Length
<b>摩托车链条套筒 Motorcycle Chain Bush</b>				
530HV	7.75	7.65	5.24	17.1
25SH		3.3	2.06	5.41
428HVS		6.3	4.45	14.65
A、520ORD2	7.65	7.5	5.3	13.9
520HF		7.03	5.08	14.1
525OH-O		7.03	5.24	13.45
08BV		6.37	4.45	13.6
10BV		7.03	5.08	15.95
40V	5.7	5.63	3.96	13.65
60V	8.43	8.33	5.94	20.15
80V		11.1	7.92	25.11
40 OR		5.63	4.16	12.7
50 OR		7.03	5.3	16.0
60 OR		8.33	6.27	20
80OR		11.1	8.22	25.1
100OR		13.6	9.85	29.9
<b>空心销轴链套筒 Hollow Pin Chain Bush</b>				
08BHP		8.51	6.45	11.2
08BHP 销		6.38	4.7	16.8
10BHP 销		7.03	5.08	18.8
40HP		7.95	5.69	11.0
40HP 销		5.67	4.15	16.65
50HP		10.16	7.03	13.7
60HP		11.91	8.35	17.6
60HP 销		8.35	6.0	25.6
60HHP		11.91	8.35	19.2
80HP		15.88	11.1	22.5
2062HP		11.91	8.33	17.6
HP40	13.2	13.0	9.0	14.0
HP40 销	9.2	9.0	6.05	23.0
50.8HP		16.0	11.5	17.2
50.8HP 销		11.6	8.2	27.4
50.8HP 连接销		11.6	8.2	28.6
ZC2042HP		9.5	7.16	11.05
ZC2042HP 销		7.16	5.4	16.6
ZC2042HP 连接销		7.16	5.4	17.5
HB38.1	11.1	11.0	8.0	12.3
HB38.1 销		8.0	5.2	19.5
HB38.1 连接销		8.0	5.2	20.6



## 冷挤无缝套筒 Cold-extrusion seamless bush

### 冷挤无缝套筒

#### Cold-extrusion seamless bush

链号 Chain No.	磨前外径ΦD <sub>1</sub> OD Before Grinding	成品外径ΦD Finished OD	内径Φd Inner Dia.	长度 L Length
<b>空心销轴链套筒 Hollow Pin Chain Bush</b>				
HB63 销		11.5	8.2	26.7
HB63 连接销		11.5	8.2	28.1
HB63-F3 销	16.1	16.0	12.2	34.7
HB63-F3 连接销	16.1	16.0	12.2	37.7
HB100 销		11.5	8.2	27.4
HB100 连接销		11.5	8.2	28.6
HP200		18.97	14.41	23.82
<b>其它链条套筒 Other Chain Bush</b>				
CA550		11.2	7.16	25.6
CA550H		10.8	7.5	26.45
CA550HD	11.2	11.1	8.28	25.6
CA555		11.11	7.16	19.3
CA557		11.6	8.24	26.7
CA555-C6E		11.11	7.16	19.3
CA620-C6E		11.1	7.16	31.9
CA627-CPEF2	11.65	11.5	8.28	26.0
81X		15.88	11.1	35.3
81XH	16.05	15.88	11.1	42.3
81XHH		16.0	11.1	42.5
81XHD		16.0	11.1	42.4
BMW525V		7.65	5.35	14.9
BMW520V		7.65	5.35	13.4
HR6608	16.15	16.02	11.47	39.6
P30		11.5	8.28	26.0
ZLP66	16.1	16.0	11.1	42.4



## 冷挤无缝套筒 Cold-extrusion seamless bush

### 冷挤无缝套筒

#### Cold-extrusion seamless bush

材质: 不锈钢 Material: stainless steel



链号 Chain No.	磨前外径ΦD <sub>1</sub> External.Dia.	成品外径ΦD Finished Dia.	内径Φd Inner Dia.	长度 L Length
35SS	5.21	5.08	3.58	7.4
40SS	5.76	5.63	3.96	11.1
50SS	7.16	7.03	5.08	13.7
60SS	8.46	8.33	5.94	17.65
80SS	11.23	11.1	7.92	22.5
80HSS	11.23	11.1	7.92	24.1
100SS	13.68	13.6	9.53	27.35
06BSS	4.9	4.77	3.28	8.5
08BSS	6.5	6.37	4.45	11.1
10BSS	7.16	7.03	5.08	13.2
12BSS	8.23	8.1	5.72	15.55
16BSS	11.63	11.5	8.28	25.43
08BF66SS	6.45	6.38	4.45	12.15
1650HPF3SS400 销	11.4		8.2	27.4
1650HPF3SS400	16.2		11.5	17.1
1650HPZS400 销	11.6		8.2	27.4
1650HPZS400	16.2		11.4	17.1