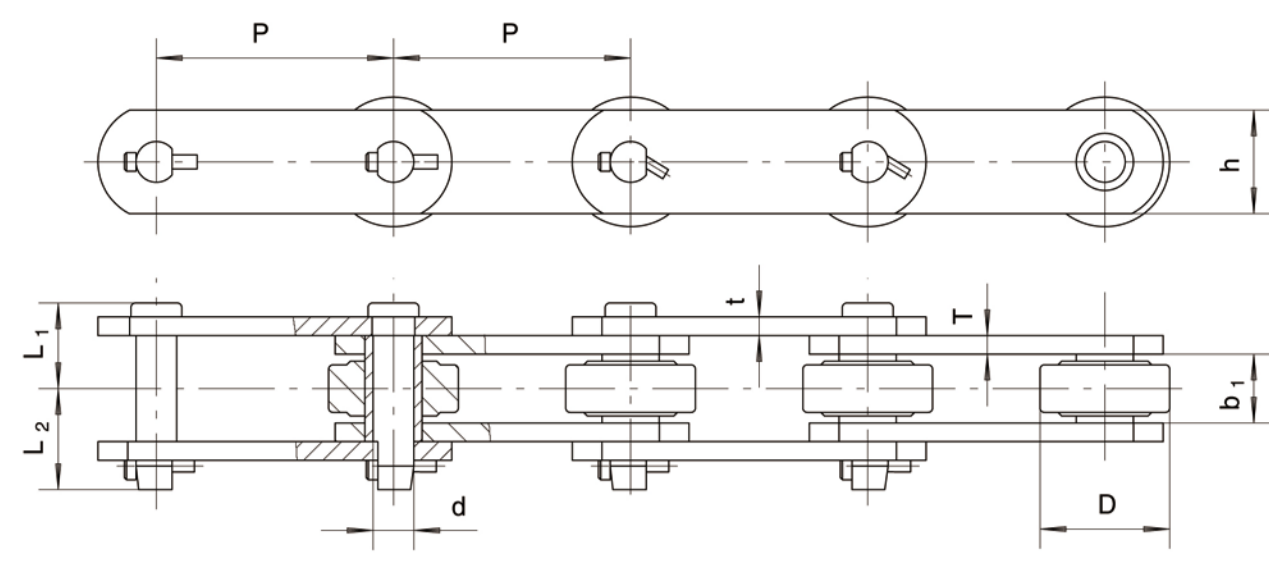


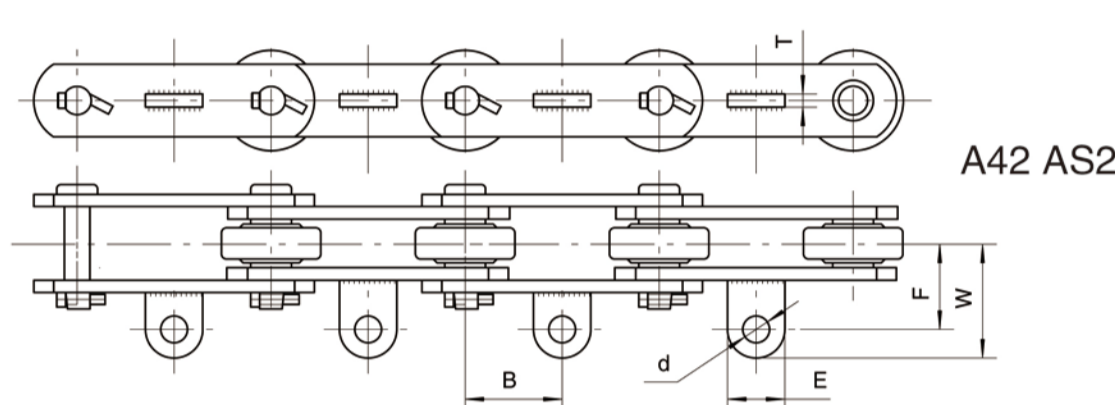
直板型糖机链 Straight Sidebar Type Sugar Mill Chain



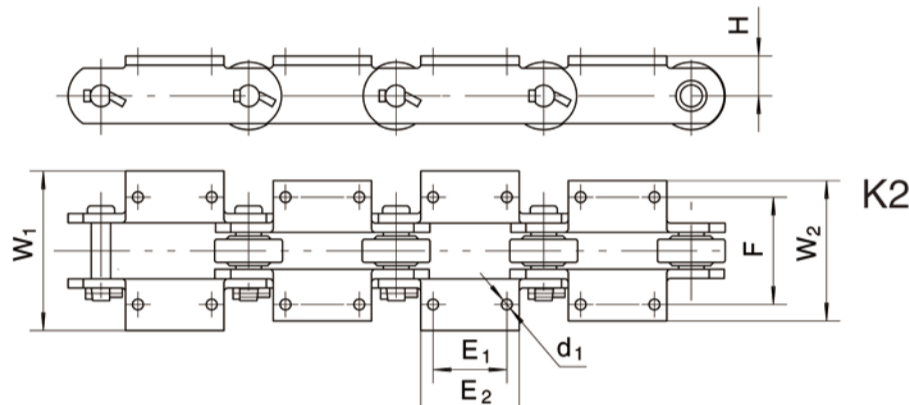
链号	节距	内节内宽	滚子外径	销轴			链板		最小抗拉强度	每米净重
Chain No.	Pitch	Width between inner plates	Roller diameter	Pin			Plate		Ultimate tensile strength	Weight per meter
				D	L ₁	L ₂	H	t/T		
	P	b ₁ (min)	D(max)	D	L ₁	L ₂	H	t/T	Q(min)	q
	mm	mm	mm	mm	mm	mm	mm	mm	kN	kg/m
P77.5	77.5	36.7	31.7	16	39.5	47.5	38	8	188	10.3
0904	101.6	29.3	50.8	17.46	31.1	47.4	44.5	8	178.4	13.16
09060	152.4	37.7	69.85/76.2	18.9	45.2	49.1	50.8	9.5	250	17.2/18.36
09061	152.4	37.7	69.85	18.9	44.9	50.3	57.2	9.5	377.9	18.74
1796	152.4	37.8	69.85	22.23	44.2	52.9	57.2	9.5	444.5	18.5
			76.2	22.23	44.2	52.9	57.2	9.5		19.5
			73	22.23	44.2	52.9	57.2	9.5		19.2
09063	152.4	38	76.2	23.83	47.4	54.6	60.3	10.3	622.3	21.88
C09063	152.4	38	76.2	23.83	47.4	54.6	61.9	10.3	635	22.2
GC09063	152.4	38	76.2	23.8	46.7	56.3	63.5	10.3	600	23.67
SS996	152.4	38.1	69.85	19.05	46.83	51.6	50.8	9.5	311	17.55
DN2184	152.4	34.9	76.2	22.35	43.9	51.2	50.8	9.5	355.6	18.3
SS960	152.4	38.1	69.85	21.84	51.6	61.1	57.2	12.7	333.3	31.24
SS600	152.4	38.1	69.85	22.23	47.05	53	58.7	9.5	444.5	20.83
SS1131	152.4	38.1	76.2	19.05	46.83	51.6	50.8	9.5	208	18.6
SS1114	152.4	32.5	50.8	15.88	38.5	43.2	38.1	7.9	124.46	11.8
SS800	203.2	46.04	88.9	25.15	57.94	60.33	76.2	12.7	742.3	29.76
SS2315	228.6	43	76.2	22	49	58	9.5	63.5	274	27.23

销轴与套筒有碳钢和马氏体不锈钢两种材质。
there are two kinds of materials for pin and bushing , which are Carbon steel and Martensite stainless steel.

直板型糖机链附件 Straight Sidebar Type Sugar Mill Chain Attachments

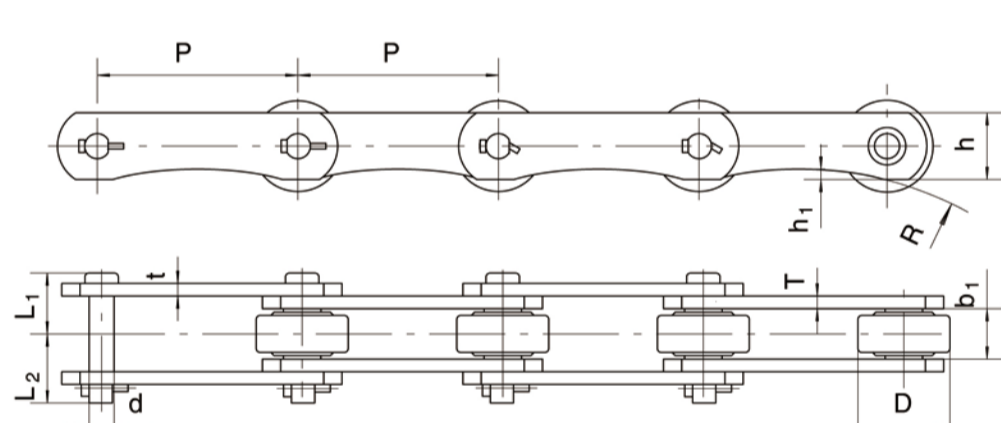


Chain No.	B	F	W	E	d	T
	mm	mm	mm	mm	mm	mm
09060	76.2	67	87.4	45	21	15
09061	76.2	67	87.4	45	21	15
1796	76.2	67	87.4	45	21	15
GC09063	76.2	63.5	83	45	20	15.3
SS1131	76.2	65.88	91.28	50.8	17.46	15.48
DN2184	76.2	66.7	92.1/88.74	50.8/44	21	15

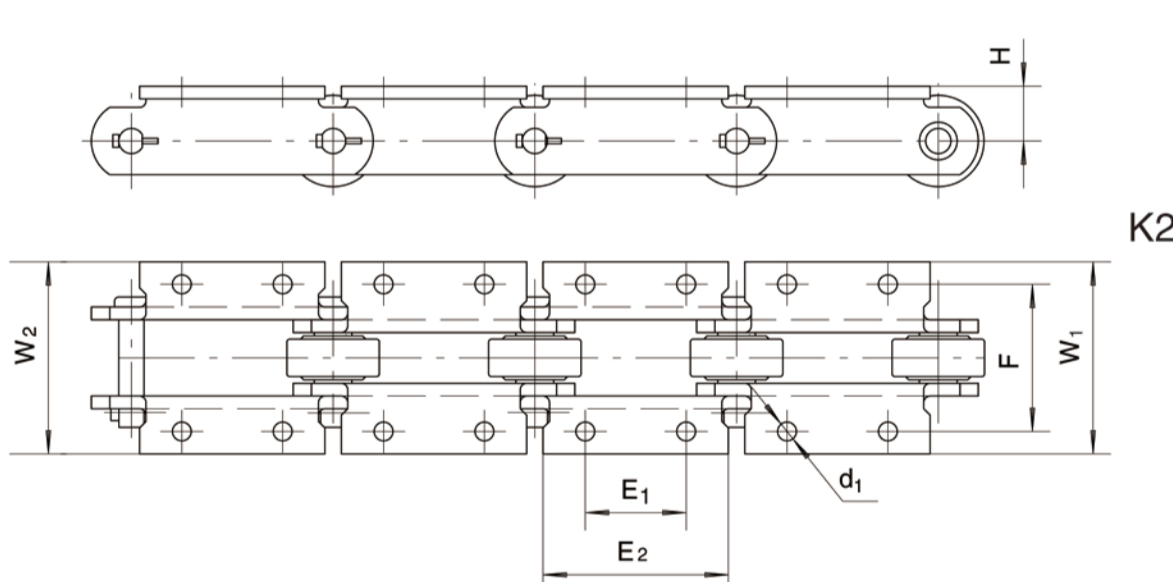


Chain No.	H	E1	E2	d ₁	F	W ₁	W ₂
	mm	mm	mm	mm	mm	mm	mm
0904	31.8	36.6	66.7	9.5	89	137.4	137.4
09060	41.3	76.2	114.3	13	111.1	171.5	151.1
09061	41.3	76.2	114.3	13	111.1	165.1	144.7
1796	41.3	76.2	114.3	11.1/13/14	111.1	165.1	144.7
C09063	44.5	76.2	114.3	14.3/12.7	111.1	165.1	143.1
SS996	41.4	76.2	139.7	12.7	111.25	152.4	152.4
SS1131	41.28	66.68	139.7	14.29	152.4	187.3	187.3
SS960	41.28	76.2	111.13	14.29	111.13	152.4	152.4
SS600	41.4	76.2	111.25	12.7	111.25	147.32	147.32
SS800	55.6	114.3	177.8	17.46	131.8	182.6	182.6

直板型糖机链附件 Straight Sidebar Type Sugar Mill Chain Attachments



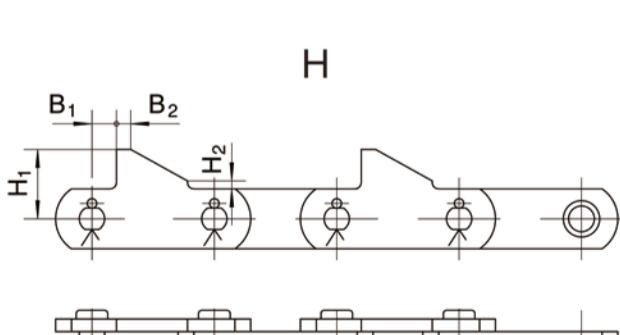
链号	节距	内节内宽	滚子外径	销轴			链板			最小抗拉强度	每米净重	
Chain No.	Pitch	Width between Inner plates	Roller diameter	Pin			Plate			Ultimate Tensile strength	Weight Per meter	
				d	L ₁	L ₂	h	h ₁	R			t/T
	P	b ₁ (min)	D(max)	d	L ₁	L ₂	h	h ₁	R	t/T	Q(min)	q
	mm	mm	mm	mm	mm	mm	mm	mm	mm	mm	kN	kg/m
996	152.4	37.7	69.85	18.9	44.9	49.4	54	/	/	10	311	18.7
SS2124	152.4	40	69.8	19.05	46.1	53.6	52.9	6.8	266.7	9.5	229.8	18.03



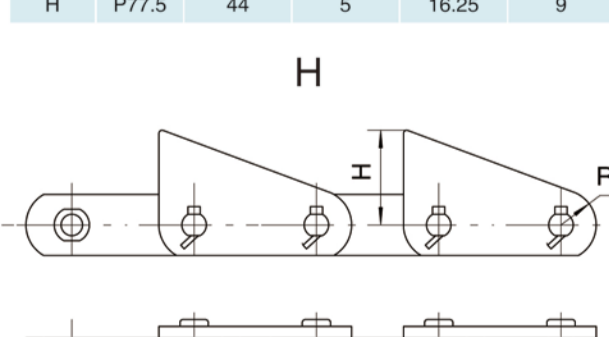
Chain No.	H	E ₁	E ₂	d ₁	F	W ₁	W ₂
	mm	mm	mm	mm	mm	mm	mm
996	41.3	76.2	139.7	12.7	111.1	141.3	141.3

销轴与套筒有碳钢和马氏体不锈钢两种材质。
there are two kinds of materials for pin and bushing , which are Carbon steel and Martensite stainless steel.

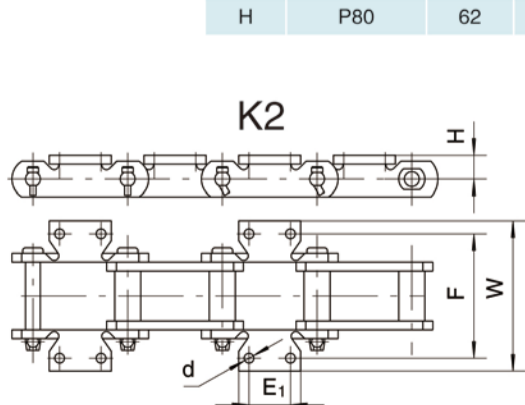
直板型糖机链附件 Straight Sidebar Type Sugar Mill Chain Attachments



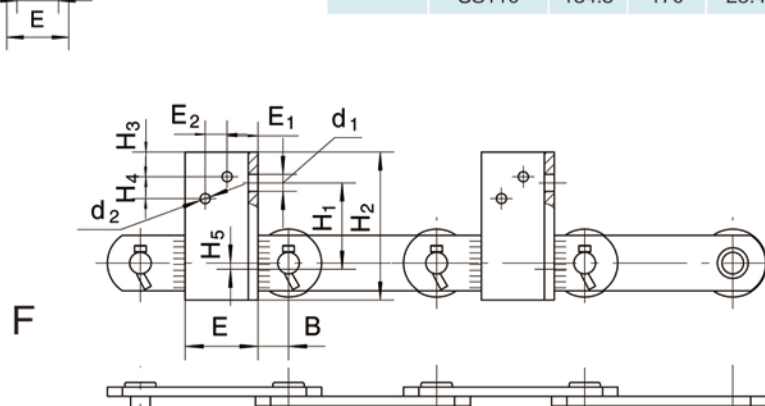
Att No	Chain No.	H ₁	H ₂	B ₁	B ₂
		mm	mm	mm	mm
H	P77.5	44	5	16.25	9



Att No	Chain No.	H	R
		mm	mm
H	P80	62	23



Att No	Chain No.	F	W	H	E	E ₁	d ₁ (min)
		mm	mm	mm	mm	mm	mm
K2	SS188	106.4	131.6	20.6	54.6	31.8	8
	SS131	104.6	157.0	25.4	73.9	38.1	13.1
	SS102B	134.9	162.8	25.4	66.5	44.45	10.4
	S111	158.8	210.8	38.1	92.7	58.7	13.0
	SS110	134.8	170	25.4	75	44.45	10.4



Att No	Chain No.	B	F	H ₁	H ₂	H ₃	H ₄	H ₅	E	E ₁	E ₂	d ₁	d ₂
		mm	mm	mm	mm	mm	mm	mm	mm	mm	mm	mm	mm
F	C09063	31.4	73.5	88.9	152.4	25.4	22.5	6.35	75	31.8	22.5	17.5	13.1