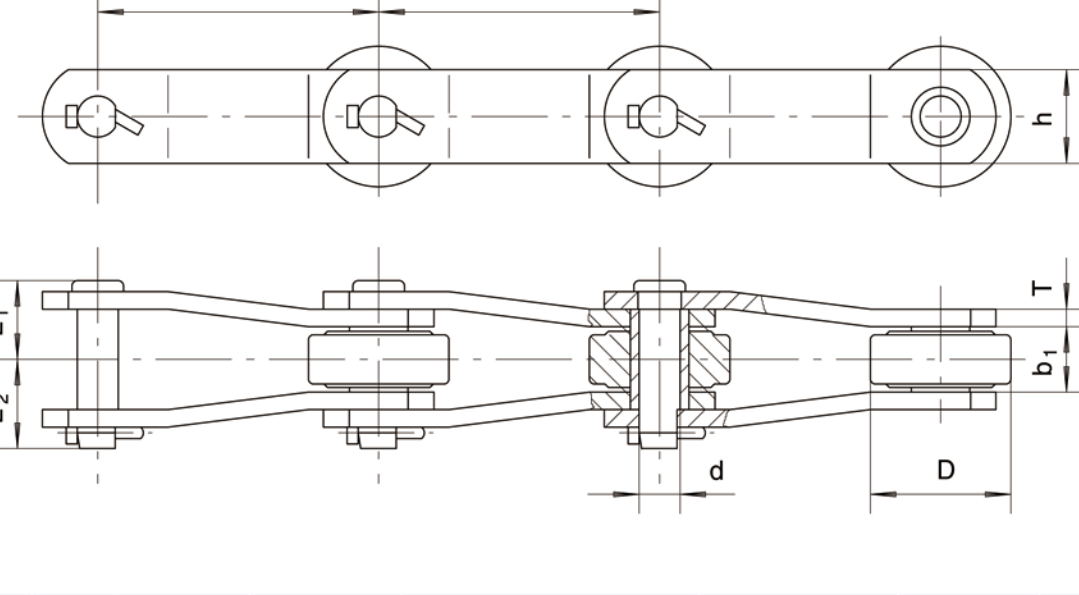


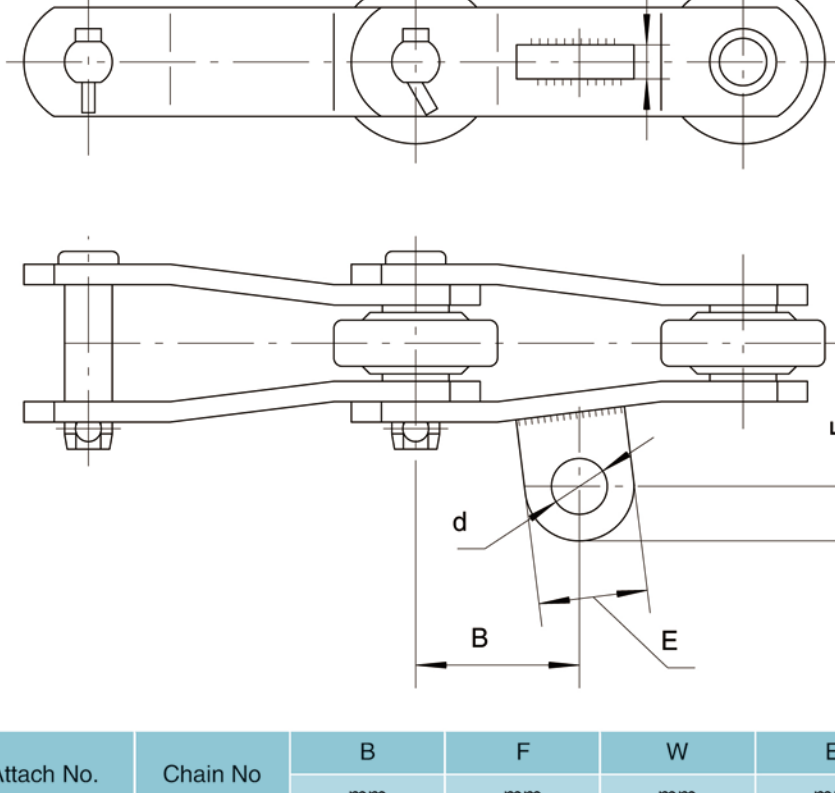
## 弯板型糖机链 Cranked Sidebar Type Sugar Mill Chains



链号	节距	窄端内宽	滚子外径	销轴			链板		最小抗拉强度	每米净重
Chain No.	Pitch	Inside diameter	Roller diameter	Pin			Plate		Ultimate tensile strength	Weight Per meter
				d	L <sub>1</sub>	L <sub>2</sub>	h	T		
	P	b <sub>1</sub> (min)	D(max)	d	L <sub>1</sub>	L <sub>2</sub>	h	T	Q(min)	q
	mm	mm	mm	mm	mm	mm	mm	mm	kN	kg/m
CR09060	152.4	38.2	69.9	18.9	45	53	50.8	9.5	303.8	17.5
CR09063	152.4	38	76.2	23.83	47.1	54.9	60.3	10.3	622.3	21.83
CR1796	152.4	37.8	69.85/76.2	22.23	44.2	52.9	57.2	9.5	444.5	18.59/21.3
D2184	152.4	34.9	76.2	22.23	43.9	51.2	50.8	9.5	355.6	17.7
PB2184	152.4	36	76.2	22.23	45.4	52.8	52	10	396	19.31
SS800	203.2	46.1	88.9	25.4	59.9	69.1	75	12.7	750	30.58
8184	203.2	45.9	88.9	25.4	59.7	65.8	69.9	12.7	742.4	29.2
2284	228.6	36.9	90	25.4	45.4	53	65	10	420	21.88
2284H	228.6	36.9	90	25.4	49.5	57.2	65	12	510	24.7
22840	228.6	46	99	32	62.7	72.7	86	15	884	40.21
XM228.6V2	228.6	36.9	89	25.4	47.9	55.1	65	10	512	22.772
SS1113	102.6	37.5	50.8	17.5	38	45	38.1	6.3	93.1	13.2
SS1125	101.6	32.6	50.8	17.4	38	45	44.5	7.9	152.9	14.3
SS1130	152.4	37.6	63.5	19.05	38.5	45.6	50.8	6.4	137	12.8

销轴与套筒有碳钢和马氏体不锈钢两种材质。  
there are two kinds of materials for pin and bushing, which are Carbon steel and Martensite stainless steel.

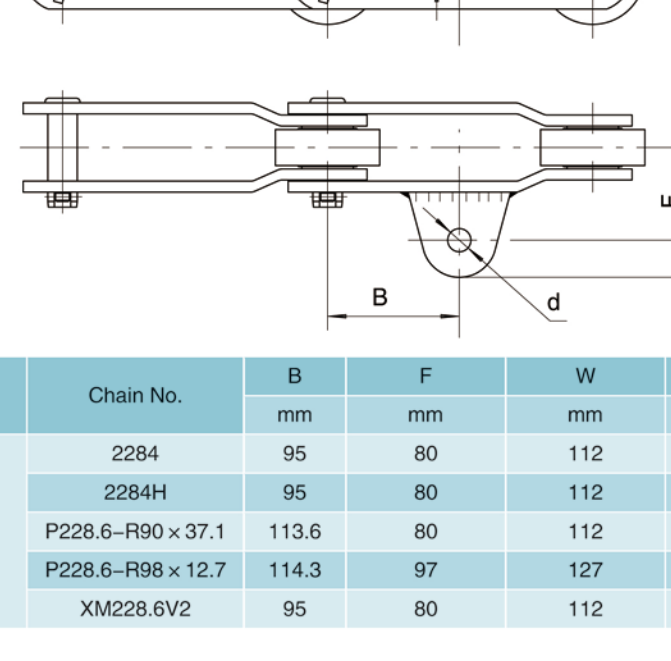
## 弯板型糖机链附件 Cranked Sidebar Type Sugar Mill Chains-Attachments



A42(AS2)

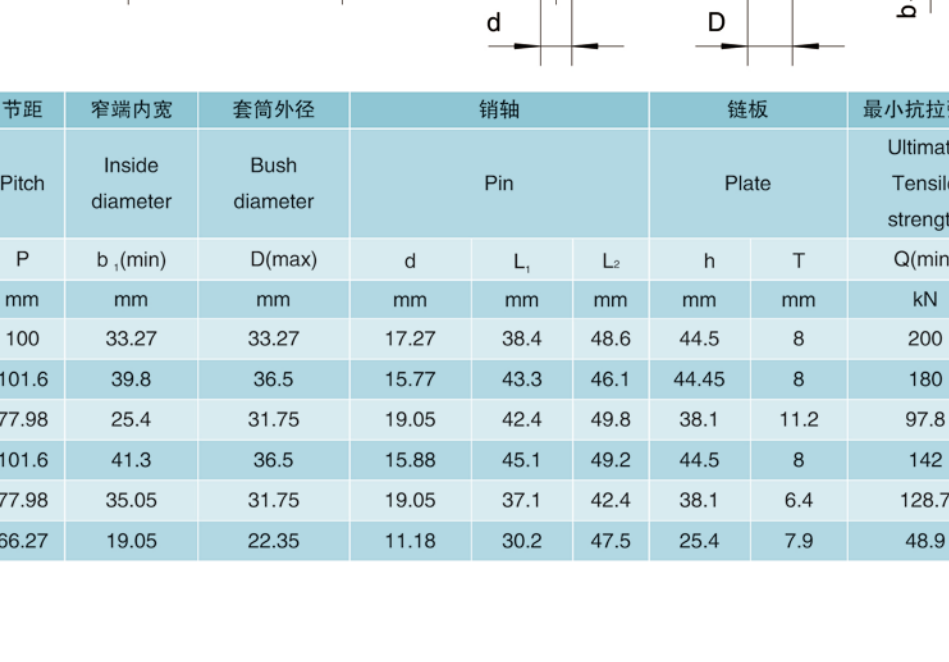
Attach No.	Chain No.	B	F	W	E	d	T
		mm	mm	mm	mm	mm	mm
A42	CR09060	76.2	63.5	83.5	44	20	15.5
	CR1796	76.2	66.9	89.5	45	21	15
	CR09063	76.2	74.6	99.6	50	20.64	15
	D2184	76.2	66.78	92.1/88.7	50.8/44	21	15
	D2184B	76.2	66.7	88.7	44	21	15
	PB2184	76.2	66.7	92.4	55	17	15
	8184	101.6	81.8	107.2	50.8	19.8	15
	SP2184S	76.2	71.7	97.1	50.8	16	15
	SS1130	76.2	67	82.6	44.5	16.7	16
	22840	120	97	122	50	21	15
	SS1113	50.8	60.3	80.3	49.5	16.8	13.5
	SS1124	50.8	50.8	68.3	35	11	10.3
SS1125	50.8	54	72.3	42	16.7	12.7	
SS800	101.6	81.7	107.1	68	17	15.5	

## 弯板型糖机链附件 Cranked Sidebar Type Sugar Mill Chains-Attachments



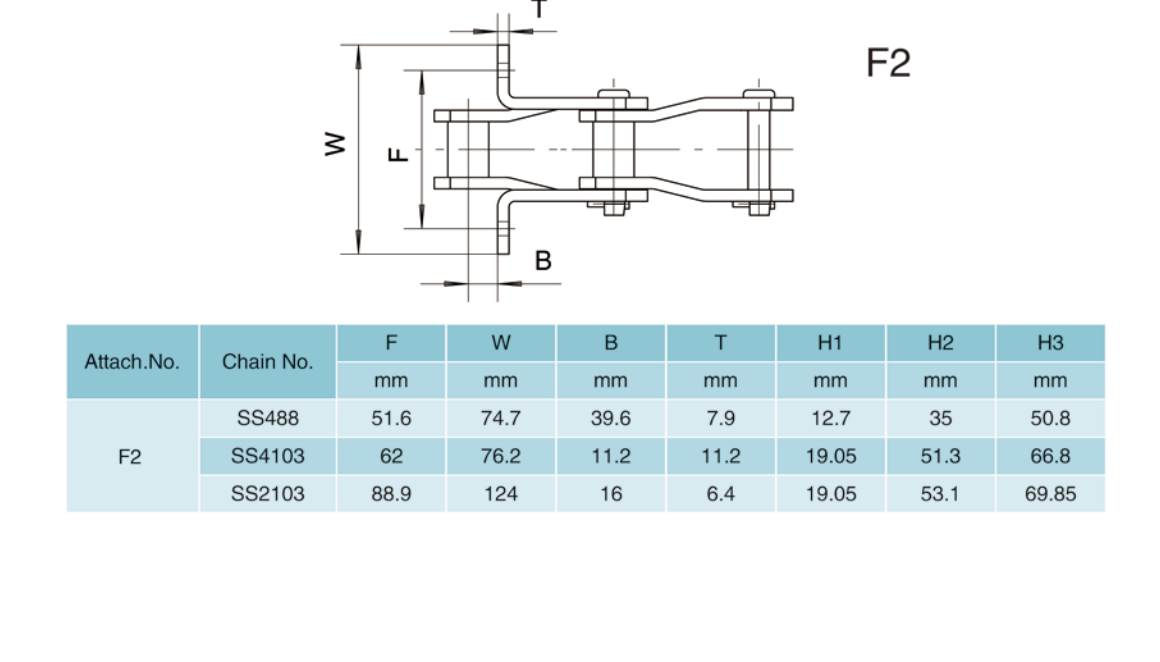
AS2

Attach No.	Chain No.	B	F	W	d	T
		mm	mm	mm	mm	mm
AS2	2284	95	80	112	21	16
	2284H	95	80	112	21	16
	P228.6-R90 x 37.1	113.6	80	112	21	19
	P228.6-R98 x 12.7	114.3	97	127	21	16/19
	XM228.6V2	95	80	112	21	20



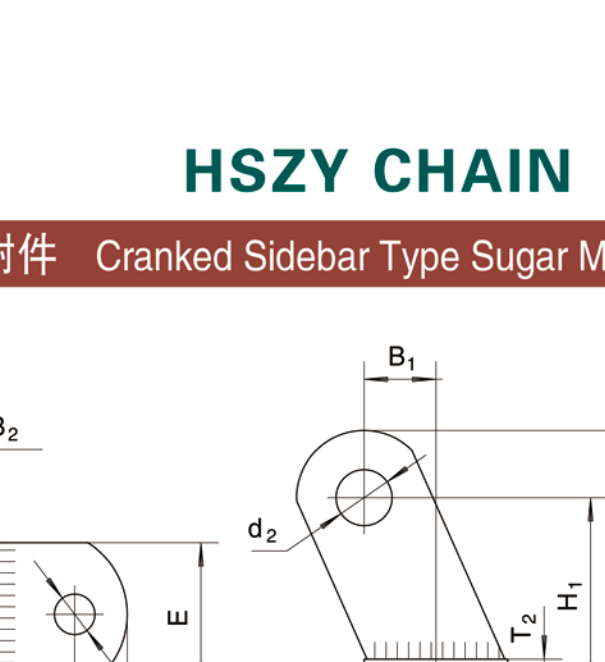
链号	节距	窄端内宽	套筒外径	销轴			链板		最小抗拉强度	每米净重
Chain No.	Pitch	b <sub>1</sub> (min)	D(max)	Pin			Plate		Ultimate Tensile strength	Weight Per meter
				d	L <sub>1</sub>	L <sub>2</sub>	h	T		
	P	mm	mm	mm	mm	mm	mm	mm	Q(min)	q
	mm	mm	mm	mm	mm	mm	mm	mm	kN	kg/m
SS100D	100	33.27	33.27	17.27	38.4	48.6	44.5	8	200	10.47
B5094	101.6	39.8	36.5	15.77	43.3	46.1	44.45	8	180	11.36
SS4103	77.98	25.4	31.75	19.05	42.4	49.8	38.1	11.2	97.8	13.14
SS0340	101.6	41.3	36.5	15.88	45.1	49.2	44.5	8	142	10.9
SS2103	77.98	35.05	31.75	19.05	37.1	42.4	38.1	6.4	128.7	9.42
SS488	66.27	19.05	22.35	11.18	30.2	47.5	25.4	7.9	48.9	6.04

## 弯板型糖机链附件 Cranked Sidebar Type Sugar Mill Chains-Attachments



K1

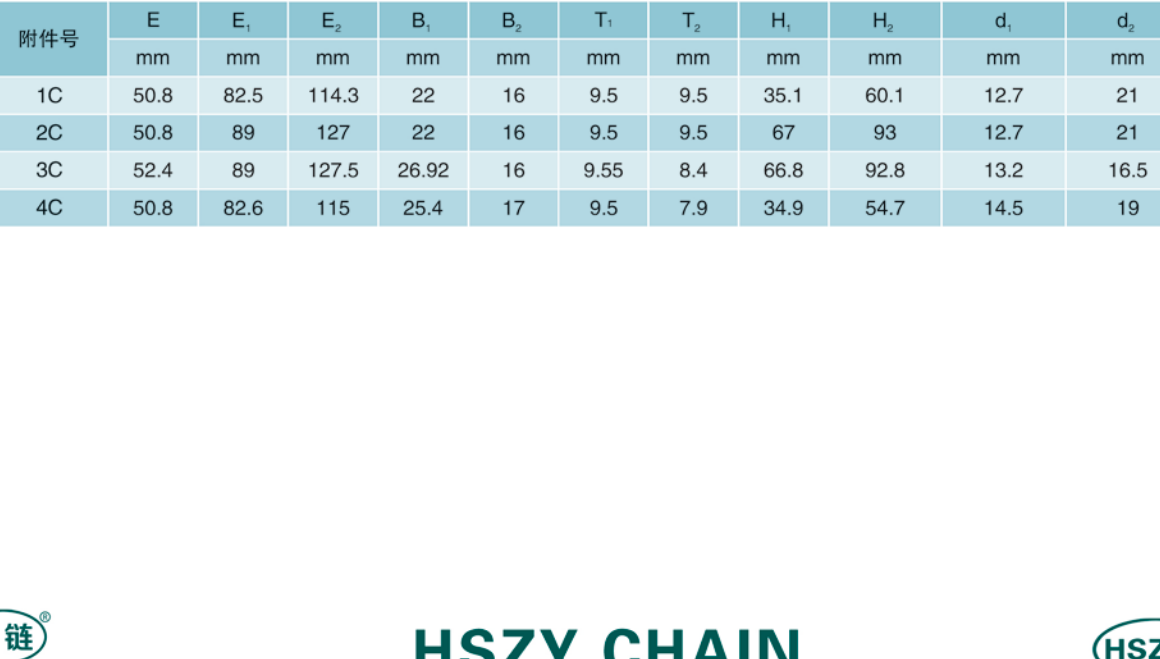
Attach No.	Chain No.	Type	F	W	E	d	T	H
			mm	mm	mm	mm	mm	mm
K1	SS100D	A	112.78	159	50	11.2	9.5	31.75
	B5094	B	111.2	143	31.8	11.12	8	38.1
	SS0340	B	111.2	143	31.8	11.12	7.9	38
	SS488	B	96.8	128.6	28.6	7	6.5	21.4
A22	SS488	C	48.4	64.3	28.4	7.2	9.5	33.13
A42	SS0340	C	63.5	79.4	38.1	12.7	9.4	50.8



F2

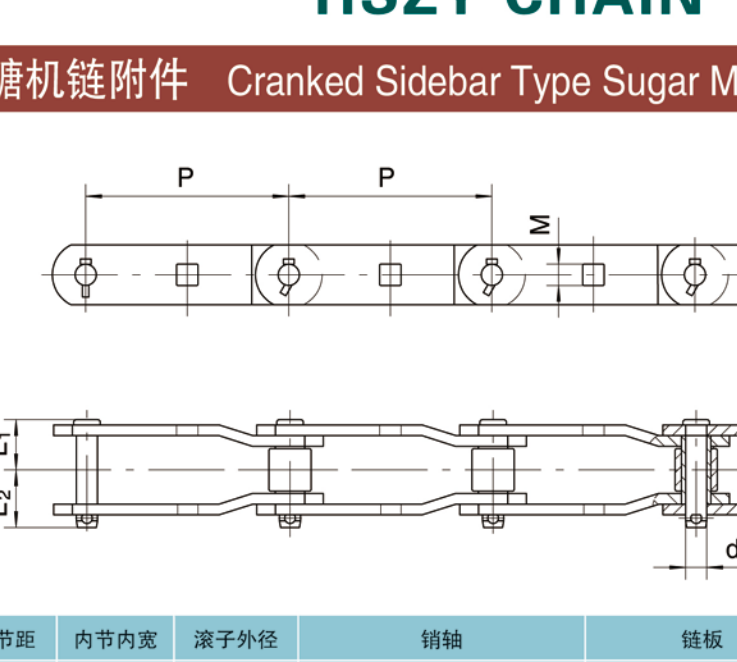
Attach No.	Chain No.	F	W	B	T	H1	H2	H3
		mm	mm	mm	mm	mm	mm	mm
F2	SS488	51.6	74.7	39.6	7.9	12.7	35	50.8
	SS4103	62	76.2	11.2	11.2	19.05	51.3	66.8
	SS2103	88.9	124	16	6.4	19.05	53.1	69.85

## 弯板型糖机链附件 Cranked Sidebar Type Sugar Mill Chains-Attachments



Welding Type

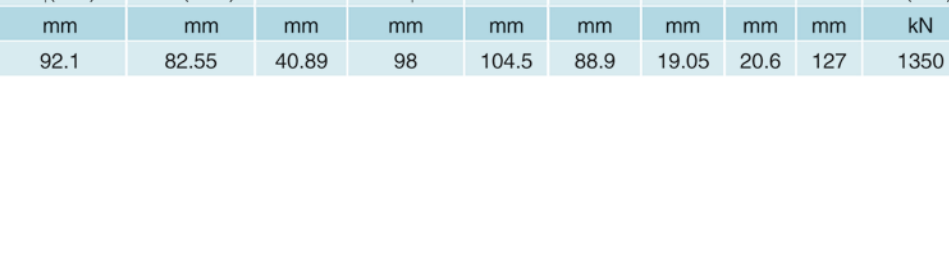
附件号	E	E <sub>1</sub>	E <sub>2</sub>	B	B <sub>1</sub>	T <sub>1</sub>	T <sub>2</sub>	H <sub>1</sub>	H <sub>2</sub>	d	d <sub>1</sub>
	mm	mm	mm	mm	mm	mm	mm	mm	mm	mm	mm
1W	50.8	82.6	114.3	22.17	16.7	9.5	9.5	35	55.5	14.3	21
2W	50.8	88.9	127	25.4	16.8	9.5	9.5	66.8	90.6	13/14.2	20.8
3W	50.8	88.9	127	25.4	17.8	9.5	9.5	66.8	90.6	14.2	16.8
4W	50.8	88.9	127	25.4	16.8	9.5	9.5	66.8	90.6	14.2	19.8



Casting Type

附件号	E	E <sub>1</sub>	E <sub>2</sub>	B	B <sub>1</sub>	T <sub>1</sub>	T <sub>2</sub>	H <sub>1</sub>	H <sub>2</sub>	d	d <sub>1</sub>
	mm	mm	mm	mm	mm	mm	mm	mm	mm	mm	mm
1C	50.8	82.5	114.3	22	16	9.5	9.5	35.1	60.1	12.7	21
2C	50.8	89	127	22	16	9.5	9.5	67	93	12.7	21
3C	52.4	89	127.5	26.92	16	9.55	8.4	66.8	92.8	13.2	16.5
4C	50.8	82.6	115	25.4	17	9.5	7.9	34.9	54.7	14.5	19

## 弯板型糖机链附件 Cranked Sidebar Type Sugar Mill Chains-Attachments



链号	节距	内节内宽	滚子外径	销轴			链板			最小抗拉强度	每米净重	
Chain No.	Pitch	Width between sidebars	Roller diameter	Pin			Plate			Ultimate Tensile strength	Weight Per meter	
				d	L <sub>1</sub>	L <sub>2</sub>	h	T	M			
	P	b <sub>1</sub> (min)	D(max)	d	L <sub>1</sub>	L <sub>2</sub>	mm	mm	mm	Q(min)	q	
	mm	mm	mm	mm	mm	mm	mm	mm	mm	kN	kg/m	
C2614	304.8	69.85	63.5	31.75	78.5	84.5	88.9	15.9	20.6	127	1350	33.68

链号	节距	内节内宽	滚子外径	销轴			链板			最小抗拉强度	每米净重	
Chain No.	Pitch	Width between sidebars	Roller diameter	Pin			Plate			Ultimate Tensile strength	Weight Per meter	
				d	L <sub>1</sub>	L <sub>2</sub>	h	T	M			
	P	b <sub>1</sub> (min)	D(max)	d	L <sub>1</sub>	L <sub>2</sub>	mm	mm	mm	Q(min)	q	
	mm	mm	mm	mm	mm	mm	mm	mm	mm	kN	kg/m	
C2648	304.8	92.1	82.55	40.89	98	104.5	88.9	19.05	20.6	127	1350	105.6