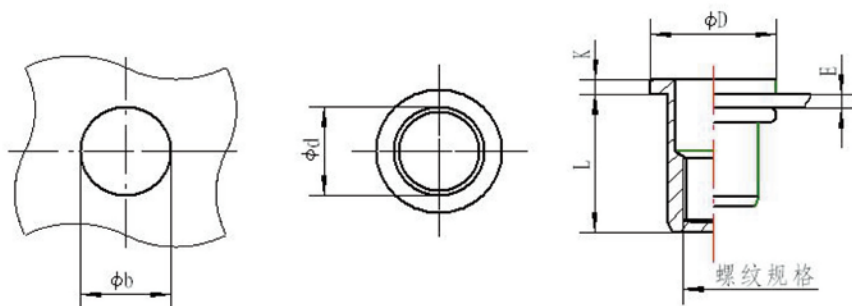




不锈钢平头圆柱体盲孔拉铆螺母  
Stainless steel flat-head cylinder close-hole vivet vivet nut

不锈钢平头圆柱体盲孔拉铆螺母

Stainless steel flat-head cylinder close-hole vivet vivet nut



Thread specification

螺纹规格	E=grip 铆接范围	L	b=drill dia 钻孔孔径	d=rivet dia 铆体直径	D	K
M4	0.5-2.0	15.0	6.0	6.0	9.0	1.0
M5	0.5-3.0	17.5	7.0	7.0	10.0	1.0
M6	0.5-3.0	21.5	9.0	9.0	12.0	1.5
M8	0.5-3.0	23.5	11.0	11.0	15.0	1.5

All dimensions in mm

Technical data subject to modification without prior notice

所有规格单位均为 mm，技术参数如有变动，恕不另行通知